

C.I.P.

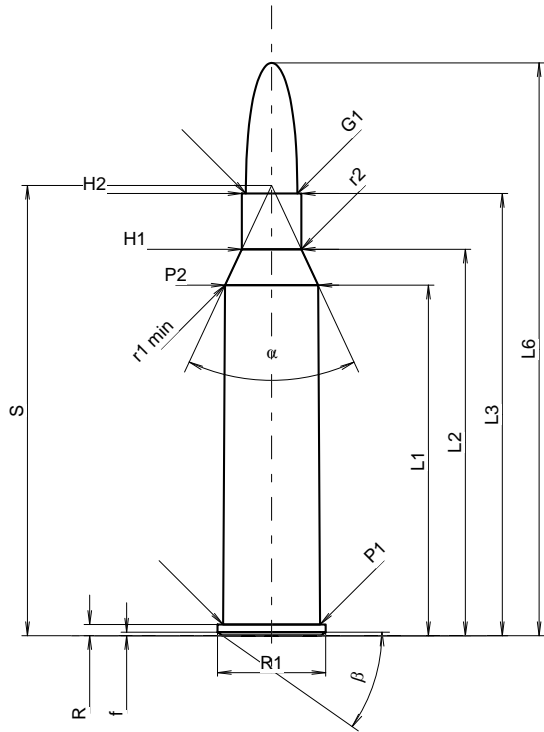
225 Win.

Country of Origin: US

TAB. II

Date 84-06-14

Revision 11-05-25

**CARTRIDGE MAXI****Lengths**

L1	=	38.86
L2	=	42.84
L3 ¹⁾	=	49.02
L4	=	
L5	=	
L6	=	63.50

Case Head

R ¹⁾	=	1.24	-0.25
R1	=	12.01	
R3	=		
E	=		
E1	=		
e min	=		
delta	=		
f	=	0.38	
beta	=	35°	

Powder Chamber

P1	=	10.77
P2 *	=	10.31

Junction Cone

alpha *	=	50°
S *	=	49.92
r1 min	=	0.76
r2	=	2.54

Collar

H1 *	=	6.60
H2 ¹⁾	=	6.60

Projectile

G1 ¹⁾	=	5.70
G2	=	
F	=	
L3+G ¹⁾	=	53.23

Pressures (Energies)**Method Transducer**

Pmax	=	3900 bar
PK	=	4485 bar
PE	=	4875 bar
M	=	25.00
EE	=	2195 Joule

Miscellaneous Dimensions

Fe ¹⁾³⁾	=	0.10
delta L	=	0.10

CHAMBER MINI**Lengths**

L1	=	38.72
L2	=	42.69
L3 ¹⁾	=	49.28

Breech

R ¹⁾	=	1.35
R1	=	12.27
R2	=	
R3	=	
r	=	0.80

Powder Chamber

E	=	
P1 ¹⁾	=	10.80
P2 *	=	10.35

Junction Cone

alpha *	=	50°
S *	=	49.82
r1 max	=	0.76
r2	=	2.54

Collar

H1 *	=	6.65
H2 ¹⁾	=	6.63

Commencement of Rifling

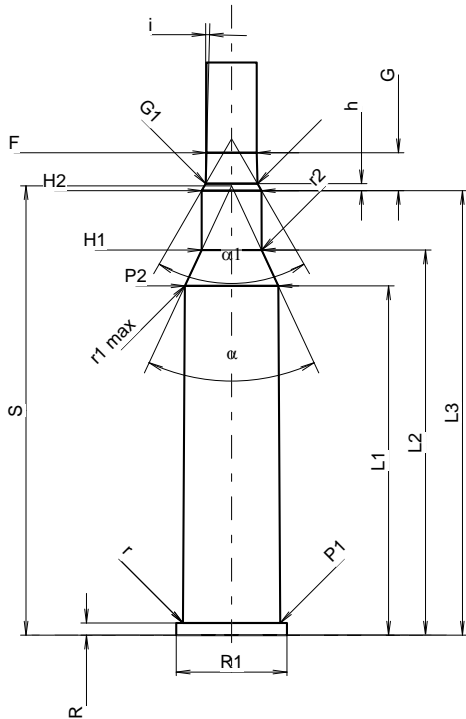
G1 ¹⁾ *	=	5.74
G ¹⁾	=	4.21
alpha1 *	=	60°
h	=	0.77
s	=	
i ¹⁾ *	=	1°30'
w	=	

Barrel

F ¹⁾ *	=	5.56
Z ¹⁾	=	5.68

Grooves

b	=	1.88
N	=	6
u	=	356.00
Q	=	24.97 mm ²



Scale 1.19:1

Dimensions in << mm >>
Dimensions and Tolerances for Proof Barrels
see Appendix CR 1.

Notes: 1) Check for safety reasons
3) Headspace on Shoulder
* Basic dimensions